

**LS ZERO****WHITE**  
similar to RAL 9016

The contemporary interpretation of the classic LS 990: LS ZERO sits flush-mounted in the wall and captures the design of the iconic switch with a narrow frame. It thus integrates consistently and perfectly in walls, ceilings and furniture fittings.

# LS ZERO

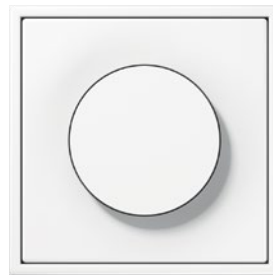
## Frame material

Thermoplastic

Compatible with all covers from the LS range.



Switch



Rotary dimmer



Switch/socket combination



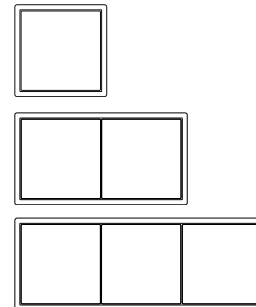
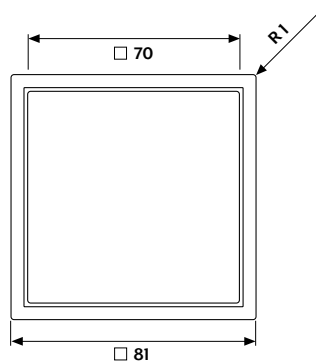
F 40 push-button 4-gang



F 50 push-button 4-gang

## Frame size

- 1-gang 81 mm x 81 mm
- 2-gang 81 mm x 152 mm
- 3-gang 81 mm x 223 mm



## Flush-mounting adapter size

For flush-mounting and 3 mm installation height

- 1-gang 130 x 130 x 12,5 mm
- 2-gang 130 x 201 x 12,5 mm
- 3-gang 130 x 272 x 12,5 mm

Suitable for plaster or plaster-board with a thickness of 12.5 mm.

The frames can be installed horizontally or vertically.

