

Sealing gasket

Ref.-no.: 551 WU

GB

Operating instructions

1 Safety instructions



Electrical devices may only be mounted and connected by electrically skilled persons.

Serious injuries, fire or property damage possible. Please read and follow manual fully.

These instructions are an integral part of the product and must remain with the end customer.

2 Structure of the device

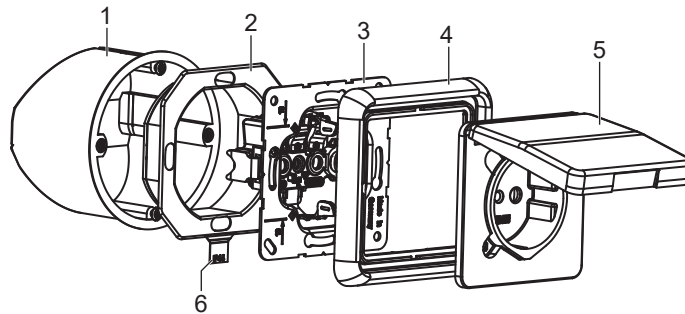


Fig. 1: Structure of the device

- (1) Flush-mounted box
- (2) Sealing gasket
- (3) Socket-outlet insert
- (4) Frame
- (5) SCHUKO socket outlet with hinged cover
- (6) IP 44 tag

3 Function

Intended purpose

- Installation in appliance boxes to achieve IP 44 protection for SCHUKO socket outlets with hinged cover, flush-mounted switches and other suitable devices.
- Installation on smooth, even and vertical surfaces.
- Installation in flush-mounted device boxes according to DIN 49073

4 Information for electrically skilled persons

Installation and electrical connection



DANGER

Electrical shock on contact with live parts in the installation environment.
Electrical shocks can be fatal.

Before working on the device, disconnect the power and cover live parts in the area!

Installation according to figure 1

- i** IP 44 protection is only achieved if all of the installed devices are IP 44-compatible and assembly has been performed in accordance with the installation instructions.
- i** Installation exclusively with frames from the product ranges AS, CD, LS with the appropriate IP 44 label.
- i** Operation of IP 44 socket outlets with hinged cover only with IP 44 SCHUKO plugs. Otherwise IP 44 protection will not be achieved in operation.

The IP 44 tag (6) indicates the degree of protection in the installed state.

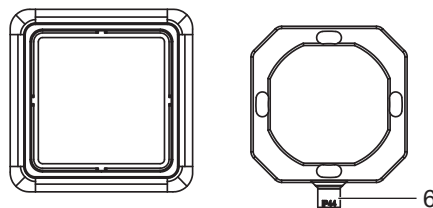


Fig. 2: Installation

In multiple combinations each insert requires its own sealing gasket. For vertical installations the IP 44 tag is left only in the bottommost box. All of the other ones must be cut off.

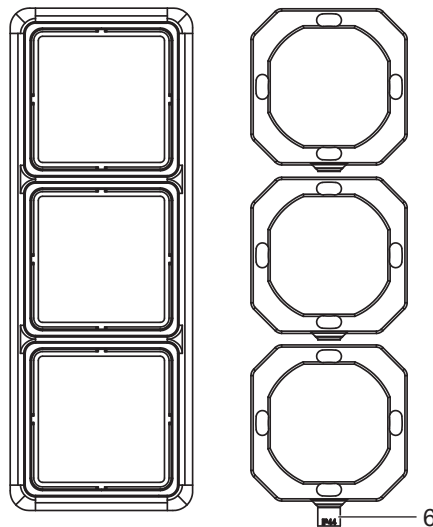


Fig. 3: Installation

5 Warranty

The warranty follows about the specialty store in between the legal framework as provided for by law.