



Operating instructions

Rotary controller 1-10 V
Art. no. 240-10

ALBRECHT JUNG GMBH & CO. KG
Volmestraße 1
58579 Schalksmühle
GERMANY

Telefon: +49 2355 806-0
Telefax: +49 2355 806-204
kundencenter@jung.de
www.jung.de

12.07.2023
32406703 J0082406703

Table of contents

1	Safety instructions	3
2	Device components	3
3	Intended use	3
4	Product characteristics	4
5	Operation	4
6	Information for electrically skilled persons	4
7	Commissioning	6
8	Technical data	7
9	Warranty	7

1 Safety instructions



Electrical devices may be mounted and connected only by electrically skilled persons.

Serious injuries, fire or property damage are possible. Please read and follow the manual fully.

Danger of electric shock. Device is not suitable for disconnection from supply voltage.

Danger of electric shock. Always disconnect before carrying out work on the device or load. In so doing, take all the circuit breakers into account, which support dangerous voltages to the device and or load.

This manual is an integral part of the product, and must remain with the customer.

2 Device components

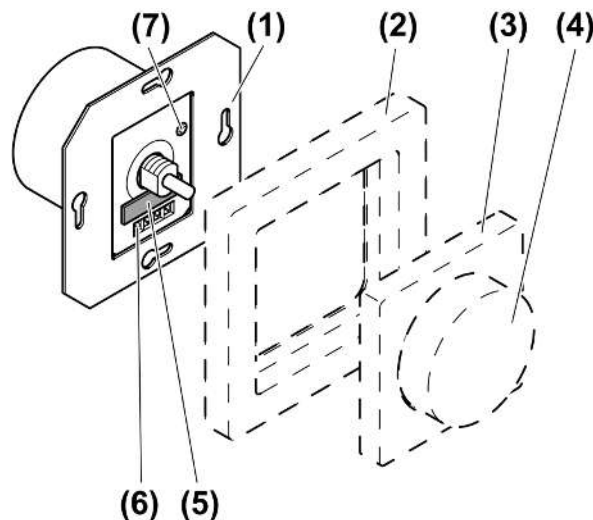


Image 1: Device components

- (1) Electronic potentiometer
- (2) Frame
- (3) Central plate
- (4) Control button
- (5) Fuse holder
- (6) Screw terminals
- (7) Adjuster

3 Intended use

- Switching and brightness setting for lamps with operating devices with 1-10-V interface
- Operation with suitable cover

- Mounting in appliance box with dimensions according to DIN 49073

4 Product characteristics

- Basic brightness adjustable
- Short-circuit protection of switching contact with integrated fine-wire fuse

5 Operation

Switching electronic operating devices on or off

- Press the control button.

Adjusting the brightness

Light is switched on.

- Turn the control button in the clockwise direction.
The light gets brighter up to maximum brightness.
- Turn the control button in the anti-clockwise direction.
Light gets darker to minimum brightness.

6 Information for electrically skilled persons



DANGER!

Electric shock when live parts are touched.

Electric shocks can be fatal.

Always disconnect before carrying out work on the device or load. For this, switch off all the corresponding circuit breakers, secure against being switched on again, and check that there is no voltage. Cover up adjacent live parts.

Connecting and fitting the device

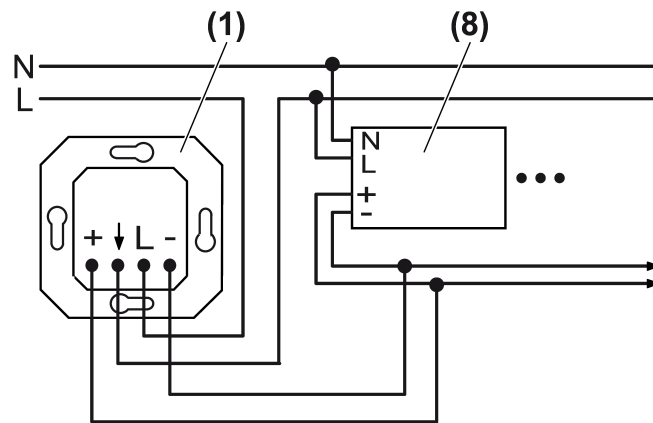


Image 2: Connection diagram - Potentiometer switches the lamp operating devices directly

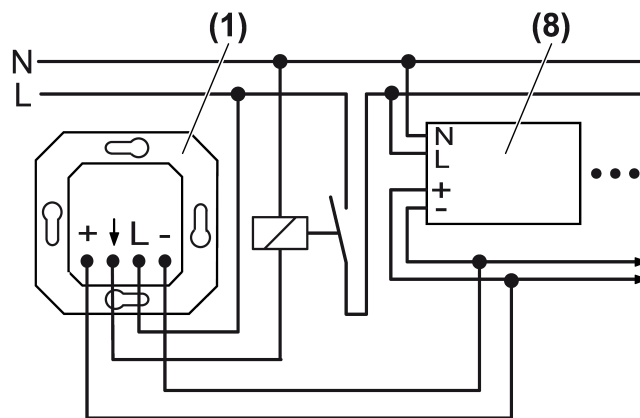


Image 3: Connection diagram - Potentiometer and contactor for switching the lamp operating devices

- (1) Electronic potentiometer
 (8) Lamp operating device with 1-10 V interface, electronic ballast

- i** Control cable: appropriate type, cross-section and routing for the VDE specifications for 250 V cables, control voltage has basic insulation. Control cable and load cable may be routed in a common cable, e.g. NYM J 5 x 1.5.
- i** Connect lamp operating devices and electronic ballasts with protective earth conductor according to manufacturer specifications. The sum of the control voltages must not exceed 50 mA; see manufacturer specifications for the lamp operating devices.
- i** Only use lamp operating devices and lamps that are of the same type, the same power level, and from the same manufacturer. Otherwise there may be differences in brightness between the individual lamps.

**CAUTION!**

Device defect when the 1-10 V interface is connected to mains voltage
Do not connect 1-10 V interface to mains voltage.

- Connect electronic potentiometer with switching function according to connection diagram (see figure 2) or (see figure 3).
- If multiple circuit breakers supply dangerous voltages to the device or load, couple the circuit breakers or label them with a warning to ensure tripping.
- Fit device in appliance box; terminals must be at the bottom.
- Adjust basic brightness.
- Mount the frame and the central plate.
- Attach the control button.

7 Commissioning

Adjusting basic brightness

**DANGER!**

Electric shock when live parts are touched.

Electric shocks can be fatal.

Use only insulated tools to set the basic brightness! Cover up live parts in the working environment.

The basic brightness can be set by an electrically skilled person as required.

The device is connected as described above and fitted in an appliance box. The frame, central plate and control button are not fitted.

- Switch on mains voltage.
- Press the rotary axle to switch on the lighting and turn it left to the minimum brightness.
- Adjust basic brightness by turning the adjuster (7) (see figure 1). The basic brightness must be set in such a way that the connected lamps are still visibly lit when the control button is turned all the way to the left.

Changing fuses



DANGER!

Electric shock when live parts are touched.

Electric shocks can be fatal.

Always disconnect before carrying out work on the device or load. For this, switch off all the corresponding circuit breakers, secure against being switched on again, and check that there is no voltage. Cover up adjacent live parts.

- i Only use original fuses! The replacement fuse is contained in the fuse holder.
 - Remove the control button (4), the central plate (3) and the frame (2).
 - Pull out the fuse holder (5) and replace the fuse.

8 Technical data

Rated voltage	AC 230 / 240 V ~
Mains frequency	50 / 60 Hz
Ambient temperature	+5 ...+25 °C
Switching current for AC 230/240 V~	
Ohmic	6 A
Control voltage	0.7 ... 12 V
Control current	Max. 50 mA
Connection Single stranded	Max. 4 mm ²
Fine-wire fuse	T 6.3 H 250

9 Warranty

The warranty is provided in accordance with statutory requirements via the specialist trade.

ALBRECHT JUNG GMBH & CO. KG

Volmestraße 1
58579 Schalksmühle
GERMANY

Telefon: +49 2355 806-0
Telefax: +49 2355 806-204
kundencenter@jung.de
www.jung.de